

Pluggable Multi-Pole SPD

SLP40-275/4(S)

Class II • Type 2



Location of Use: Sub-Distribution Boards
 Network Systems: TN-S
 Mode of Protection: L-PE, N-PE
 Surge Ratings: $I_n = 20 \text{ kA}$ (8/20 μs)
 IEC/EN Category: Class II / Type 2 / Type 1CA
 Protective Elements: High Energy MOV
 Housing: Pluggable Design
 Compliance: IEC 61643-11:2011
 EN 61643-11:2012

Technical Data

SLP40-275/4(S)

275

IEC Electrical

Nominal AC Voltage (50/60Hz)	U_o / U_n	230 V
Maximum Continuous Operating Voltage (AC)	U_c	275 V
Nominal Discharge Current (8/20 μs)	I_n	20 kA
Maximum Discharge Current (8/20 μs)	I_{max}	40 kA
Voltage Protection Level	U_p	1500 V
Residual Current at U_c	I_{PE}	< 0,5 mA
Response Time	t_A	< 25 ns
Back-Up Fuse (max)		125 A gL / gG
Short-Circuit Current Rating (AC)	I_{SCCR}	25 kA
TOV Withstand 5s	U_T	335 V
TOV 120min	U_T	440 V
	mode	Safe Fail
Number of Ports		1

Mechanical & Environmental

Operating Temperature Range	T_a	-40 °F to +158 °F [-40 °C to +70 °C]
Permissible Operating Humidity	RH	5%...95%
Atmospheric pressure and altitude		80k Pa ... 106k Pa / -500 m ... 2000 m
Terminal Screw Torque	M_{max}	39.9 lbf-in [4.5 Nm]
Conductor Cross Section (max)		2 AWG (Solid, Stranded) / 4 AWG (Flexible) 35mm ² (Solid, Stranded) / 25 mm ² (Flexible)
Mounting		35 mm DIN Rail, EN 60715
Degree of Protection		IP 20 (built-in)
Housing Material		Thermoplastic: Extinguishing Degree UL 94V-0
Thermal Protection		Yes
Operating State / Fault Indication		Green ok / Red defect
Remote Contacts (RC)		Optional
RC Switching Capacity		AC: 250V / 0.5A; DC: 250V / 0.1A; 125V / 0.2A; 75V / 0.5A
RC Conductor Cross Section (max)		16 AWG (Solid) / 1.5 mm ² (Solid)

Order Information

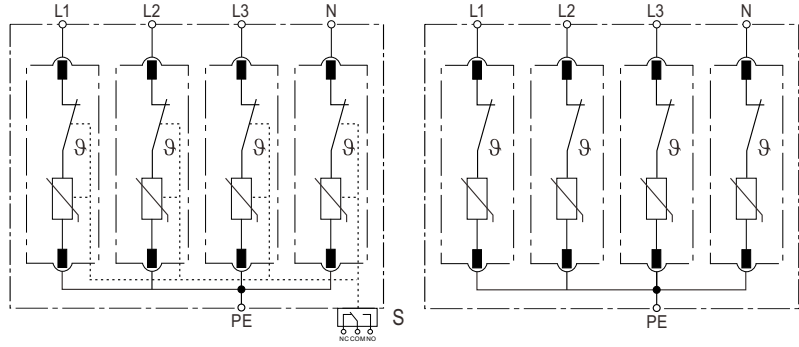
Order Code	275
SLP40-275/4	4027541
SLP40-275/4S (with remote contacts)	4027542
SLP40-275/0 (spare modules)	4027501

SLP40-275/4(S)

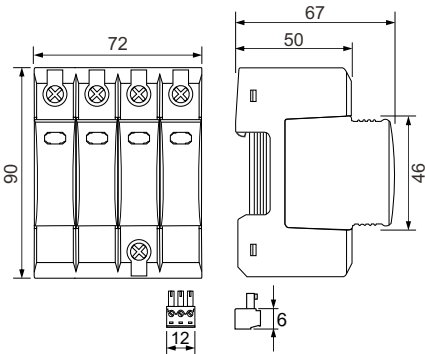
Internal Configuration

Legend

- L Line
- N Neutral
- PE Protective Earth
- S Signalling Contacts Optional



Dimensions & Packaging

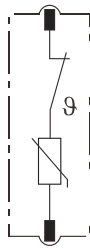


Dimensions & Packaging

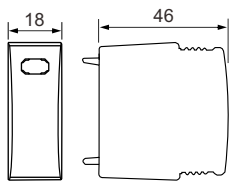
SLP40-275/4(S)	275
Single Unit DIN 43880 Dimension	1 CTN
Packaging Dimensions (HxWxL)	[270 × 230 × 330 mm]
Minimum Order Quantity	24 Units

Plug Internal Configuration

SLP40-275/0



Dimensions & Packaging



Dimensions & Packaging

SLP40-275/0	275
Single Unit DIN 43880 Dimension	1 CTN
Packaging Dimensions (HxWxL)	[270 × 230 × 330 mm]
Minimum Order Quantity	96 Units

Connection Diagram

TN-S (Three-phase, 4+0)

